

Rotating Drum Filter RDF



AquaCare GmbH & Co. KG
Am Wiesenbusch 11 • D-45966 Gladbeck • Germany
☎ 0 20 43 - 37 57 58-0 • ☎ 0 20 43 - 37 57 58-90
www.aquacare.de • info@aquacare.de



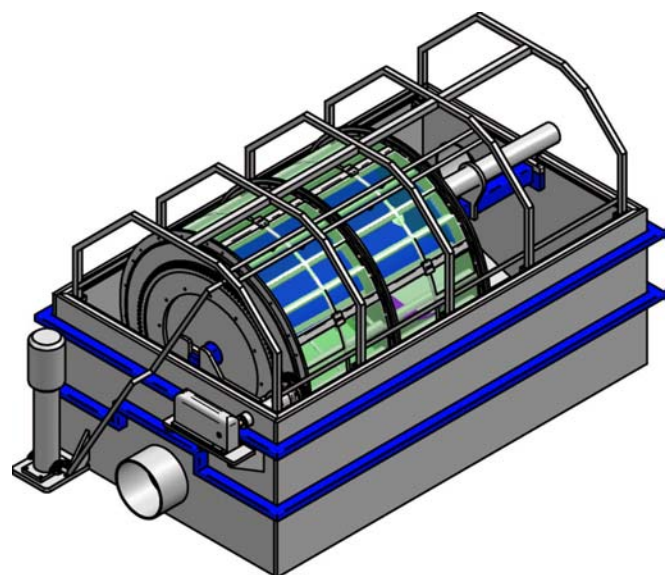
Rotating drum filter are cost-effective units for separating particles from fluids. The system works pressure-less with constant volume flows and needs low energy. The sieves are cleaned depending on the mass of dirt. The construction ensures a smooth incoming flow so that even fragile flocks are restrained.

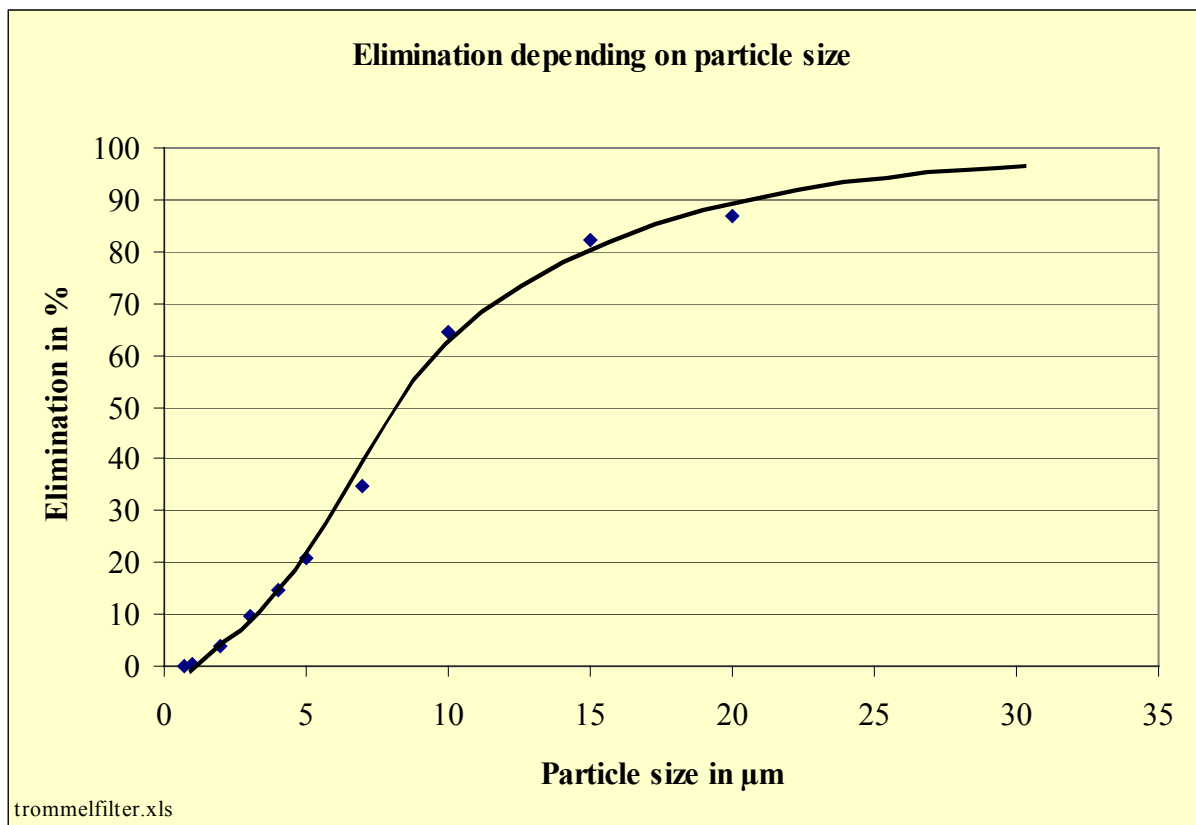
The AquaCare drum filters are suitable for fresh and sea water. Alle media touched materials are made of plastic to prevent corrosion. In build-in flushing pump is made of a very high grade stainless steel.

The rotation speed depends on the grade of dirt in the feed water and is controlled automatically. The restrained particles are flushed out with process water.

Because of the continuously process redundant (double) systems are safed and the investment costs are lower.

It is possible to change the sieves without special tools. So others sieve sizes are possible, even later. You can use AquaCare drum filters for aquaculture plants (fresh and sea water), show size aquaria, fresh water treatment, waste water treatment, food processing and for the chemical industry.





Elimination of particles depending on their size in an AquaCare drum filter with 30 µm sieve.

Technical data of the AquaCare Rotating Drum Filter RDF:

type	RDF 11	RDF 27	RDF 63	RDF 90	RDF 170	RDF 230
order number	RDF0011	RDF0027	RDF0063	RDF0090	RDF0170	RDF0230
standard sieve	30 µm (with larger pores the maximum water flow will be larger)					
possible sieves	30, 48, 68, 90, 120 µm					
max. flow in m ³ /h*	11	27	63	90	170	230
material of sieve	polyester					
other materials	PE, PA, V4A (stainless steel)					
flushing water needs	depending on dirt concentration, salinity and kind of particles / but far below the water needs of sand filters					
drum diameter in mm	500	600	800	800	1200	1200
drum length in mm	300	600	800	1200	1200	1800
total length in mm	1150	1800	2150	2750	3000	3650
total wide in mm	890	950	1200	1300	1750	1750
total height in mm	950	1000	1350	1350	1600	1600
diameter inlet / outlet in mm	d110 / DN100	d140 / DN	d180 / DN170	d250 / DN230	d315 / DN300	d400 / DN390
diameter drain in mm	d50 / DN40	d75 / DN65			d110 / DN100	
weight in kg (empty)	105	190	300	400	510	640
degree of protection	IP 65					
electrical connection	400 V 50 Hz, 1,5 kW					
current consumption	15 W stand by; 1,5 kW in flushing modus; total consumption depends extreme on dirt concentration of the feed water					

* max. flow is calculated with 25 mg/l dry mass / for fresh water the max. water flow is 8% higher