

# Roto Vane Pumps



AquaCare GmbH & Co. KG  
 Am Wiesenbusch 11 • D-45966 Gladbeck • Germany  
 ☎ 0 20 43 - 37 57 58-0 • 📠 0 20 43 - 37 57 58-90  
 www.aquacare.de • info@aquacare.de



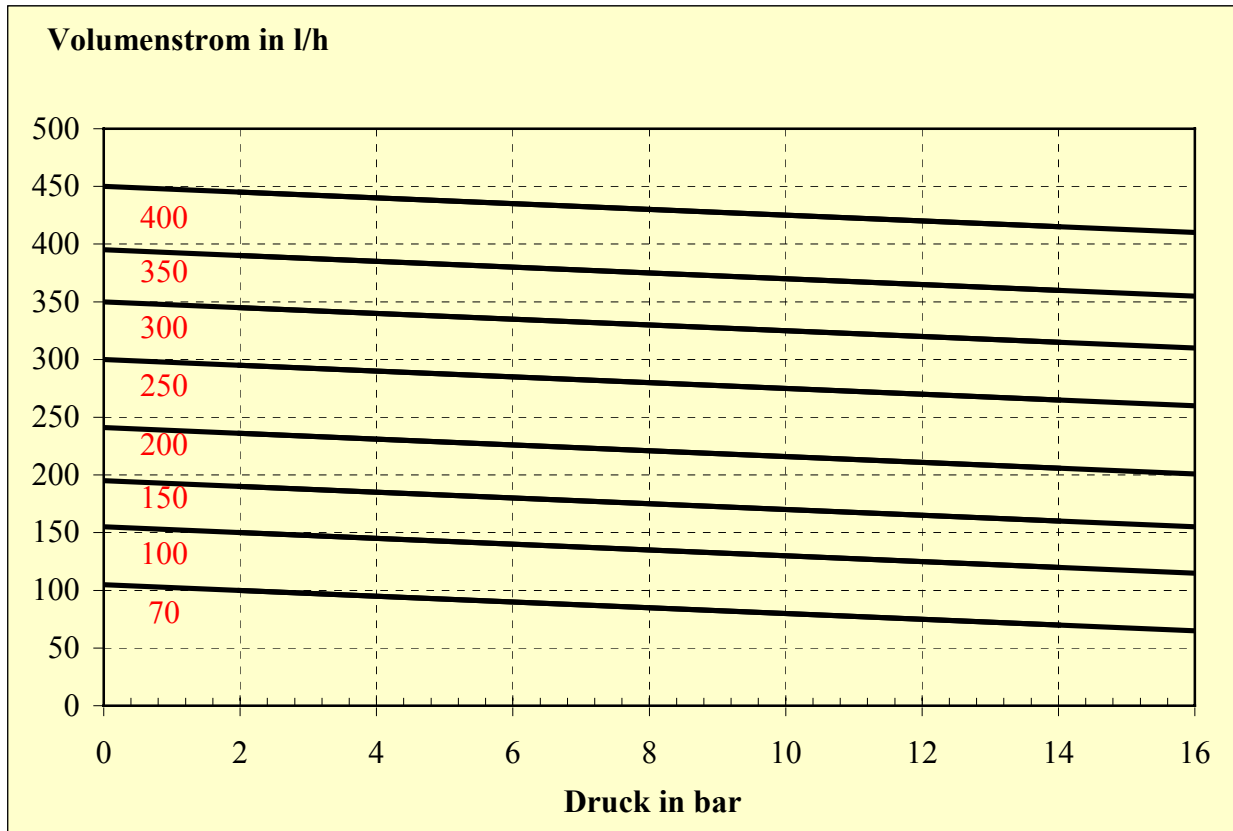
AquaCare roto vane pumps are used if low water flows at relatively high pressures are needed: e.g. R.O. systems, drinking water dispenser or booster units. The pumps are made of brass or stainless steel, the pumping chamber and the vanes are made of a graphitic carbon. A bypass is build-in in series – it prevents a too fast running dry and enables the adjusting of the maximum operation pressure. The connection to a motor is made with clamps or a coupling with lantern.

## Technical data of AquaCare roto vane pumps:

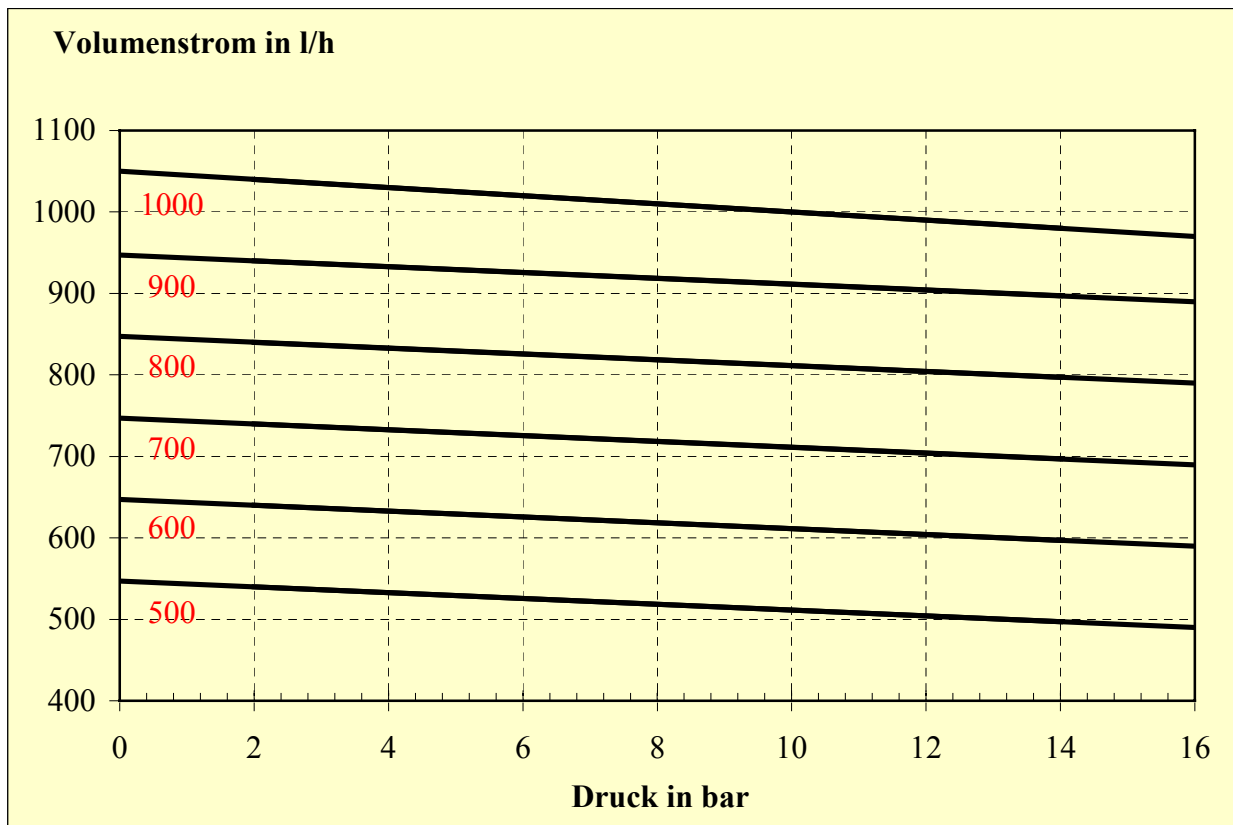
Type	100	200	300	500	600	700	900	1000
Flow at 2 bar in l/h	150	236	345	540	640	740	940	1040
Flow at 14 bar in l/h	120	206	315	497	597	697	897	980
Maximum pressure in bar	16							
Connectors	3/8"				1/2"			
Coupling pump - motor	Clamp (flange on request)							
Material housing	brass or stainless steel 1.4301 / AISI 304							
Material chamber, vane	Graphitic carbon							
Material sealing	NBR (FPM „Viton“ on request)							
Bypass	adjustable (without bypass on request)							
Operation temperature	0 ... 70°C (... 90° on request)							
Pretreatment	particle-free water (5 µm), non crystallizing							
Power of the suitable motor at operation at maximum pressure in W	180	245	245	370	370	550	750	750

Other sizes are available

## Flow diagramm of AquaCare roto vane pumps:

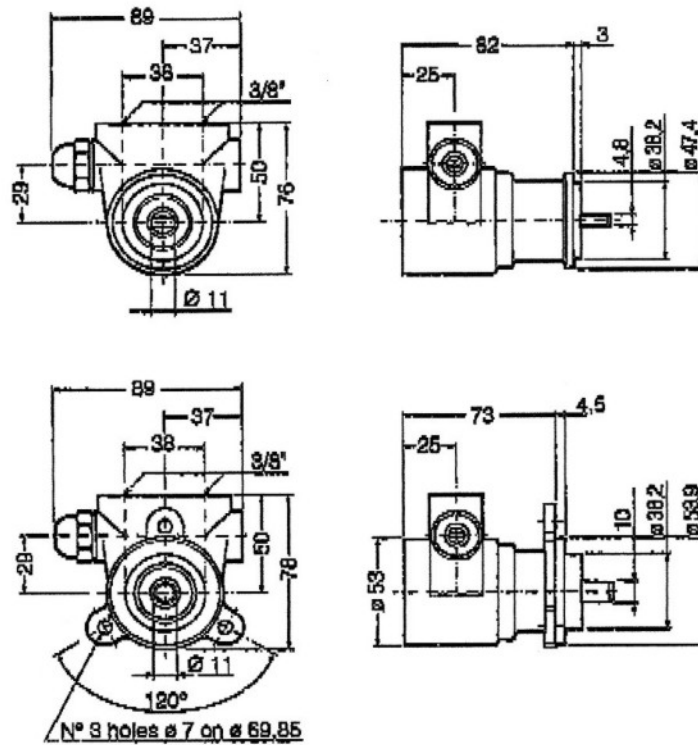


Flow of the roto vane pumps type 70 to 400; data at 20°C, 1460/min, bypass closed

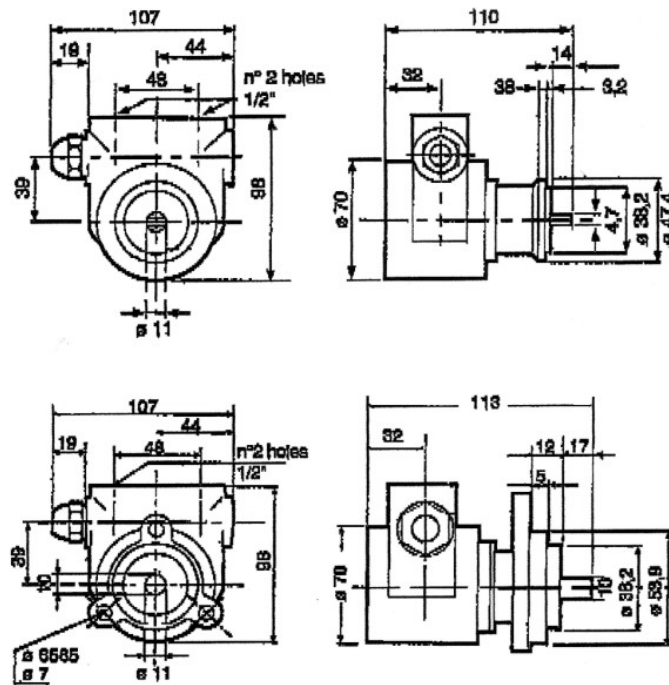


Flow of the roto vane pumps type 500 to 1000; data at 20°C, 1460/min, bypass closed

## Dimensions of the AquaCare roto vane pumps:



Roto vane pumps 70 to 400



Roto vane pumps 500 to 1000