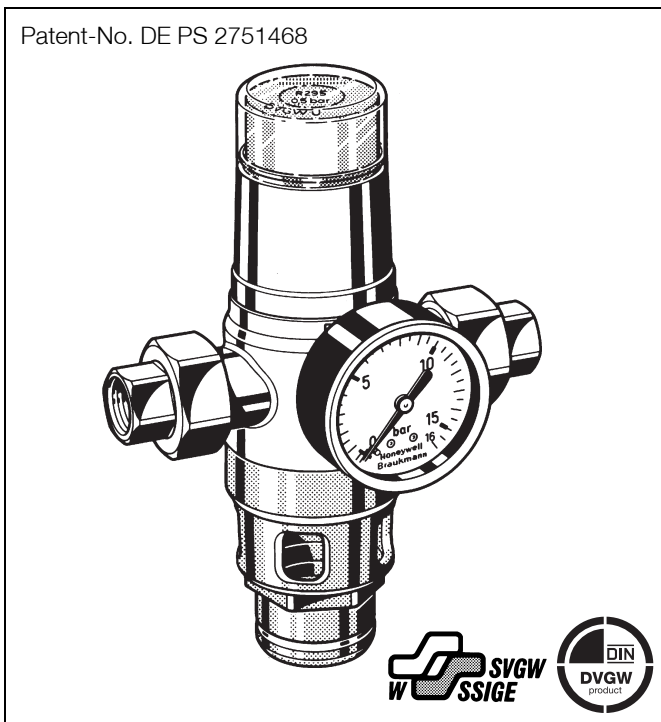


R295

Mechanical disconnecter with union connectors direct actuated GA type according to EN1717 / type 1 according to DIN1988 part 4

Product specification sheet



Construction

The mechanical disconnecters comprises:

- Housing with pressure gauge
- Outlet check valve
- Threaded union connectors
- Spring bonnet
- Discharge connection
- Valve insert with spring
- Spindle guide with double O-ring seal

Materials

- Red bronze housing
- Brass union nuts
- Red bronze threaded union connectors (brass for 2")
- High grade synthetic material valve disc
- High grade corrosion resistant synthetic material for other internal parts
- High quality synthetic material discharge connection
- High quality synthetic material spring bonnet
- NBR seals
- Stainless steel valve stem and spring
- High-quality synthetic material check valves

Application

Mechanical disconnectors of this type are suitable for the protection of drinking water systems as required by EN 1717 "The technical regulation of drinking water systems" and correspond to DIN1988 part 4 type 1 construction.

Their purpose is to protect systems against back pressure, back flow and back syphonage of non-potable water into the public water supply network.

Mechanical disconnectors can be used to provide protection up to and including liquid category 3 (slightly toxic substances).

Mechanical disconnectors therefore offer better protection than check valves.

Special Features

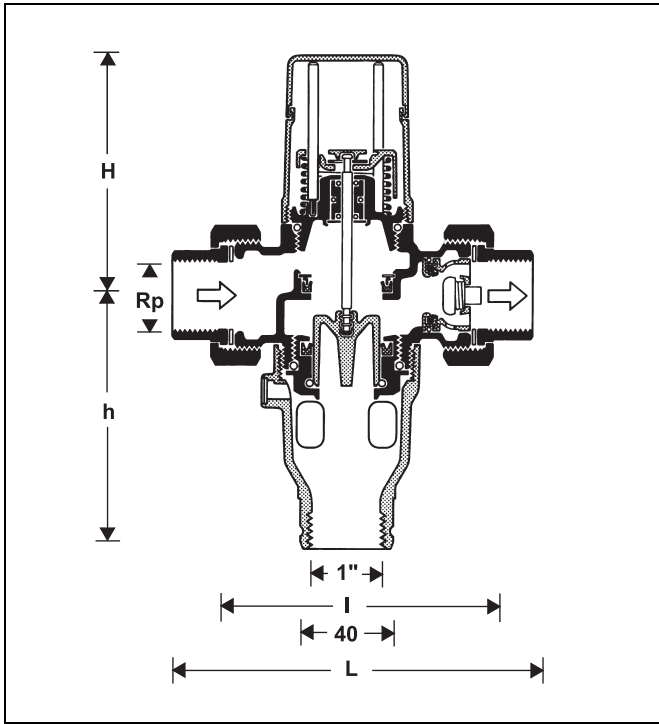
- DIN/DVGW and SVGW approvals in all connection sizes
- Low pressure loss and high flow rate
- Optimal protection of the drinking water supply system
- Enhanced protection against back pressure, back flow and back syphonage into the water supply network
- Shutoff position visually indicated on the spring bonnet
- Compact construction
- Standardised discharge connection
- Meets KTW recommendations for potable water

Range of Application

Medium Cold water
Max. inlet pressure 16.0 bar

Technical Data

Installation position Horizontal with spring bonnet upwards
Max. operating temperature 40°C
Opening pressure 0.5, 1.0, 1.5 or 2.0 bar as required
Minimum inlet pressure = opening pressure + 1.0 bar
Connection size 1/2" - 2"



Method of Operation

GA-type mechanical disconnecters are safety valves that remain in the flow position and change to the shutoff position only when the inlet pressure falls below the design opening pressure.

The inlet pressure operates on the annular surface of the valve piston and pushes it against the force of the spring bringing the piston to the open position. If the supply pressure falls below the opening pressure needed to overcome the spring force (for example because of a broken pipe or during service work by the supply undertaking) then the integral spring pushes the valve into the closed position.

Options

R295-... A = With internal threaded union connectors, 0.5 bar opening pressure

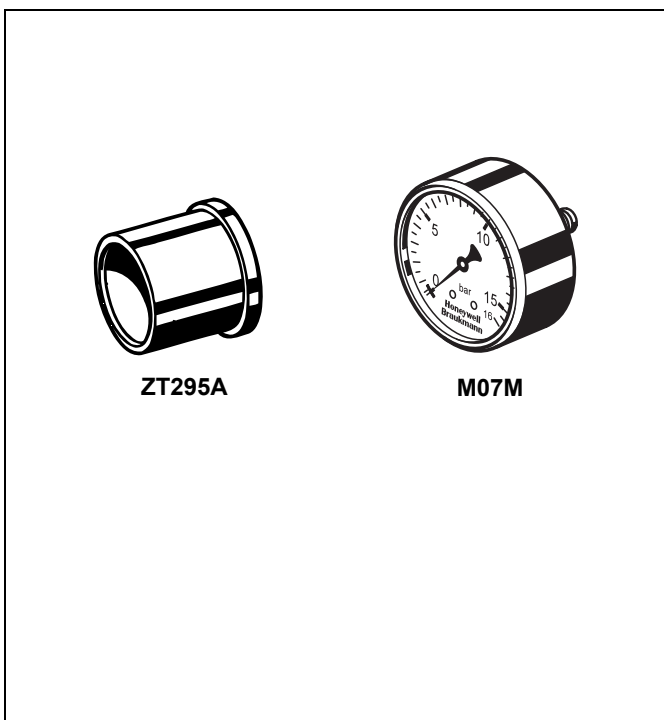
R295-... B = With internal threaded union connectors, 1.0 bar opening pressure

R295-... C = With internal threaded union connectors, 1.5 bar opening pressure

R295-... D = With internal threaded union connectors, 2.0 bar opening pressure

Connection size

Connection size	R	1/2"	3/4"	1"	1 1/4"	1 1/2"	2"
Weight	approx. kg	1.4	1.6	1.8	4.3	4.9	5.3
Dimensions	mm						
	L	151	153	159	216	228	241
	l	105	105	105	150	160	165
	H	105	107	107	162	161	154
	l	124	122	122	157	158	165
Nominal flow rate at $\Delta p = 0.3$ bar	m ³ /h	2.5	3.3	4.5	7	10	15
k _{vs} -value		4.5	6	8	13	18	27
ξ value		4	7	10	13	12.5	14
Opening pressure	bar	0.5, 1.0, 1.5, oder 2.0 as required					
DIN/DVGW Approval No.		NW - 6301 AT 2319					



Accessories

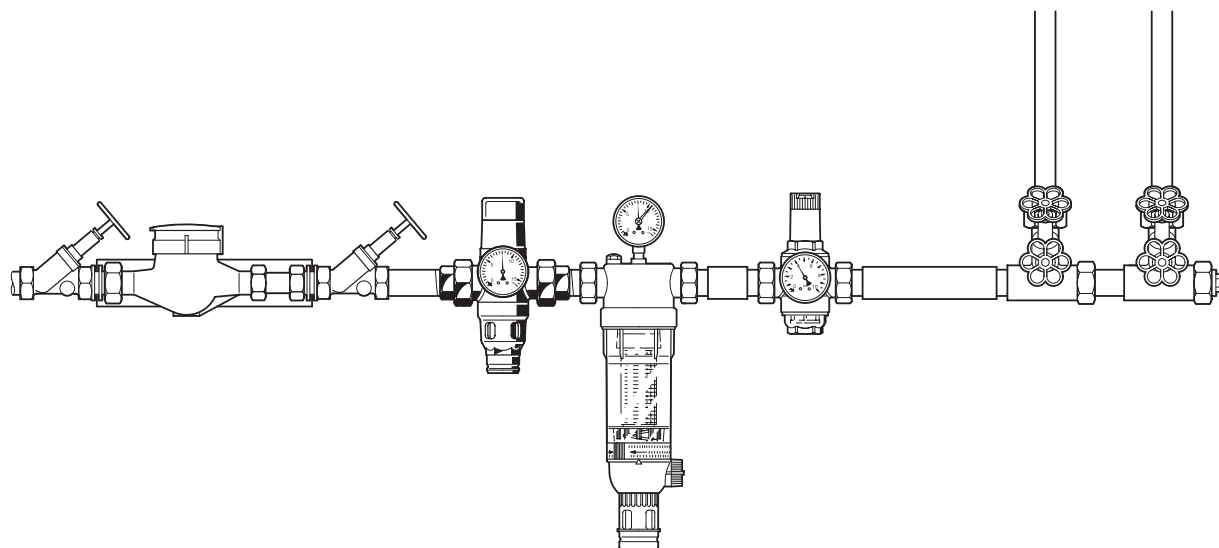
M07M Pressure gauge

Housing diameter 63 mm, rear connection thread G1/4". Ranges: 0 - 4, 0 - 10, 0 - 16 or 0 - 25 bar. Please indicate upper value of pressure range when ordering

ZT295A Soldered union connectors (pack of 2)

Available for diameters from 15 - 54 mm

Installation Example



Installation Guidelines

- Install shutoff valves
- Install in horizontal pipework with spring bonnet directed upwards
 - This orientation ensures optimum performance
- Ensure good access
 - Pressure gauge can be read off easily
 - Simplifies maintenance and inspection
- No further unprotected mains water supply may be connected downstream of the mechanical disconnecter
- The mechanical disconnecter must not be fitted in any areas or ducts where poisonous gases or vapours may be present or where flooding can occur

Typical Applications

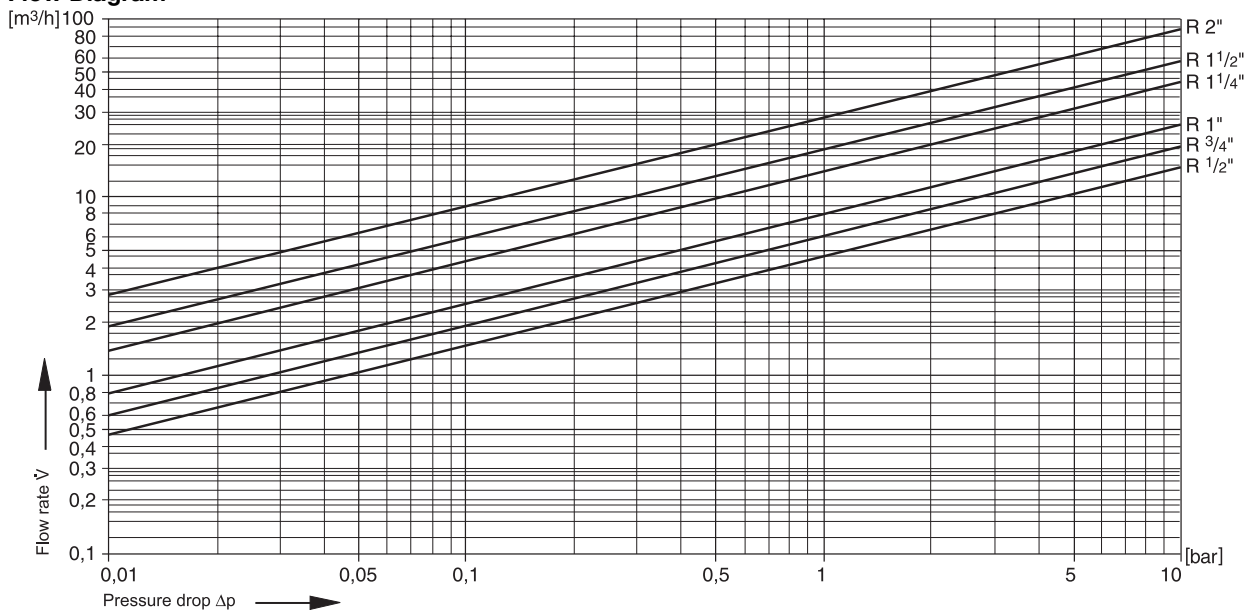
Mechanical disconnectors of this type are suitable for supplies to buildings

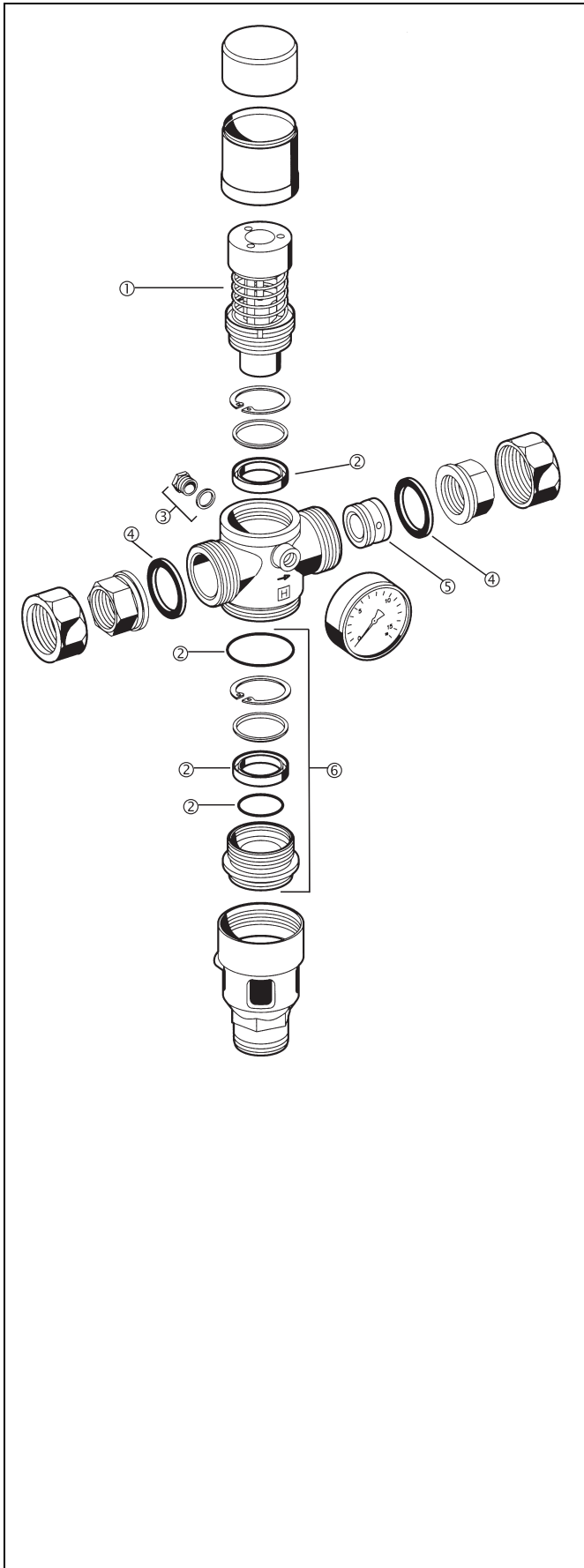
Within the scope of their specification can also be used for commercial and industrial applications.

The following are some typical applications:

- Softening and deacidification plants without DVGW approval
- Garden tap connections
- Soda machines
- Boilers and automatic pressure fermentation equipment
- Heating system filling assemblies without DVGW approval, water without inhibitors
- Air conditioners

Flow Diagram





Spare Parts

Mechanical disconnecter R295

No.	Description	Dimension	Part No.
①	Valve insert complete		
	0.5 bar	1/2" - 1"	R295A-3/4A
		1 1/4" - 2"	R295A-11/4A
	1.0 bar	1/2" - 1"	R295A-3/4B
		1 1/4" - 2"	R295A-11/4B
	1.5 bar	1/2" - 1"	R295A-3/4C
		1 1/4" - 2"	R295A-11/4C
	2.0 bar	1/2" - 1"	R295A-3/4D
		1 1/4" - 2"	R295A-11/4D
②	Seal ring set	1/2" - 1"	0901055
		1 1/4" - 2"	0901056
③	Hexagon-plug with O-ring R1/4" (5 pcs.)	all	S06M-1/4
④	Union seal washer	1/2"	5351200
		3/4"	5351300
		1"	5166300
		1 1/4"	5162900
		1 1/2"	5163000
		2"	5163100
⑤	Inlet check valve	1/2"	RV282E-3/4A
		3/4"	RV282E-1A
		1"	RV282E-1A
		1 1/4"	RV276-11/4
		1 1/2"	RV276-11/2
		2"	RV276-2
⑥	Drain connection complete	1/2" - 1"	0901340
		1 1/4" - 2"	0901341

Automation and Control Solutions

Honeywell GmbH
 Hardhofweg
 D-74821 Mosbach
 Phone: (49) 6261 810
 Fax: (49) 6261 81309
<http://europe.hbc.honeywell.com>
www.honeywell.com

Manufactured for and on behalf of the
 Environmental and Combustion Controls Division
 of Honeywell Technologies Sàrl, Ecublens, Route
 du Bois 37, Switzerland by its Authorised Repre-
 sentative Honeywell GmbH
 EN0H-1205GE23 R0206
 Subject to change
 © 2006 Honeywell GmbH

