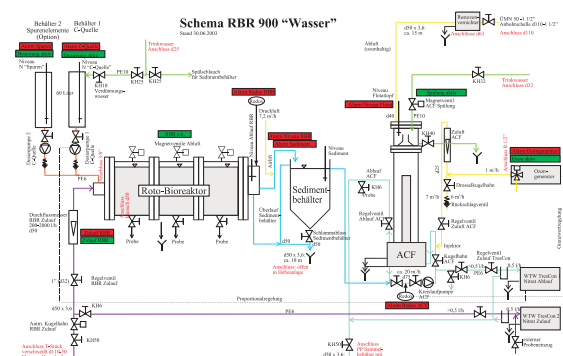


References



Denitrification: Roto-Bio-Reactor RBR

Zoo Duisburg AG, Germany, dolphin tank, 3000 m³
RBR 900 with ACF 30,000 VC and PLC
capacity: 0.5 to 3.0 m³/h at 25°C
feed water: sea water 28,000 mg/l TDS, 150 mg/l nitrate



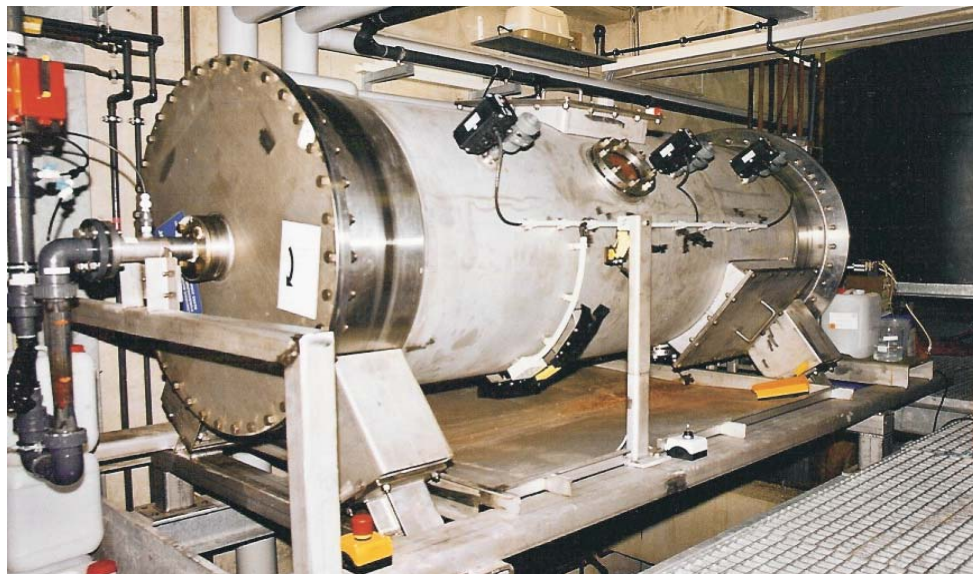
functional scheme



SPS control
for the whole
system



lucky dolphin



the heart of the system: Roto-Bio-Reactor
made of chloride resistant steel 1.4462



modified skimmer to eliminate
bacteria and traces of nitrite